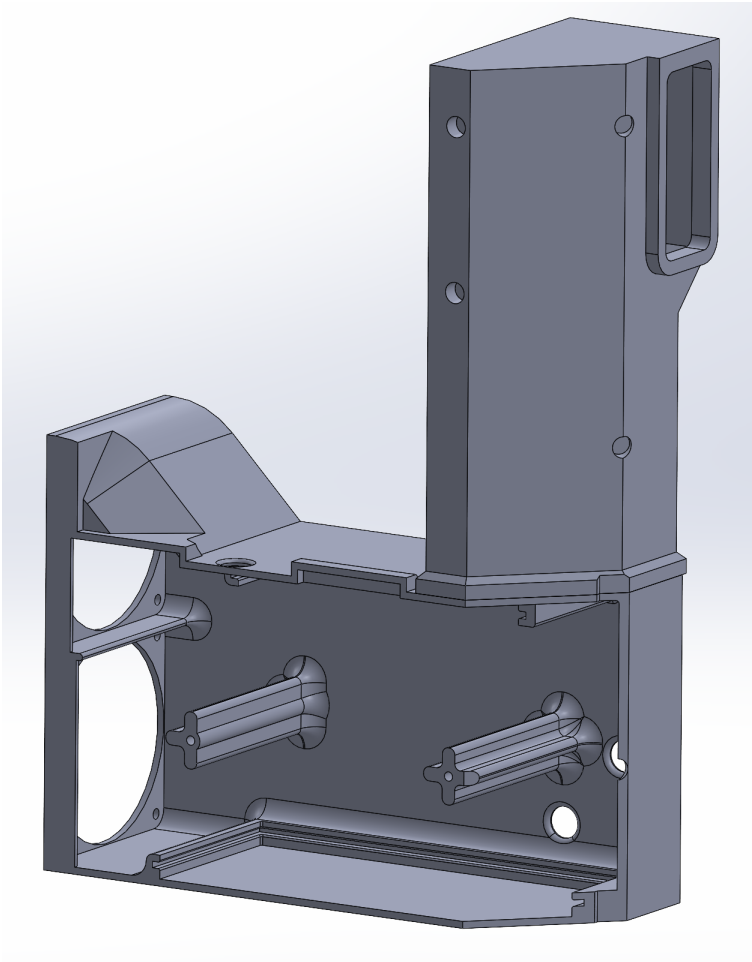


Vented Electronics Enclosure



This 3D printed Enclosure was made by the Discord user LookattheGeeks

File:

[CHIMNEY_V4.3MF](#)

Installation (partial):

[Nirecue Stream](#)

Revision #2

Created 2024-12-09 10:14:56 UTC by Nirecue

Updated 2024-12-09 10:23:12 UTC by Nirecue